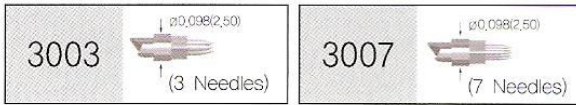


0.187(4.75) Test Centers 3003, 300 Series



Probe Specifications

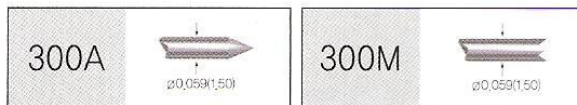
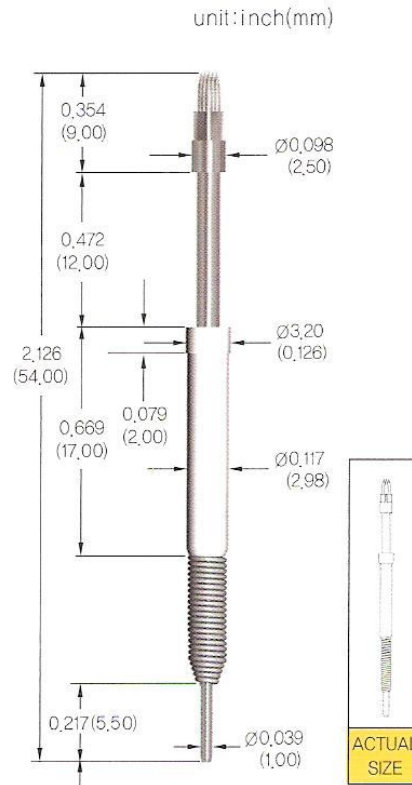
Electical(Static Conditions)

Current Rating : 15amps Continuous
 Probe Resistance : Less than 20m Ω

Materials and Finishes

Plunger : Brass, Nickel Plated
 Sleeve : Resin or Brass, Nickel Plated
 Spring : Music Wire
 Mounting Hole Size : 0.118(3.0mm) drill is most commonly used

| | | |
|--------------|------------------------------------|----------------------------|
| Spring Force | ±20% | oz(grams) |
| Preload | Recommended Travel 0.315(8.0mm) | Full Travel 0.472(12mm) |
| - | 12.355(350) | 19.309(547) |



Probe Specifications

Electrical(Static Conditions)

Current Rating : 15amps Continuous
 Probe Resistance : Less than 20m Ω

Materials and Finishes

Plunger : Hardened Steel, Nickel Plated
 Sleeve : Brass, Nickel Plated
 Spring : Music Wire
 Mounting Hole Size : 0.118(3.0mm) drill is most commonly used

| | | |
|--------------|------|-----------|
| Spring Force | ±20% | oz(grams) |
|--------------|------|-----------|

