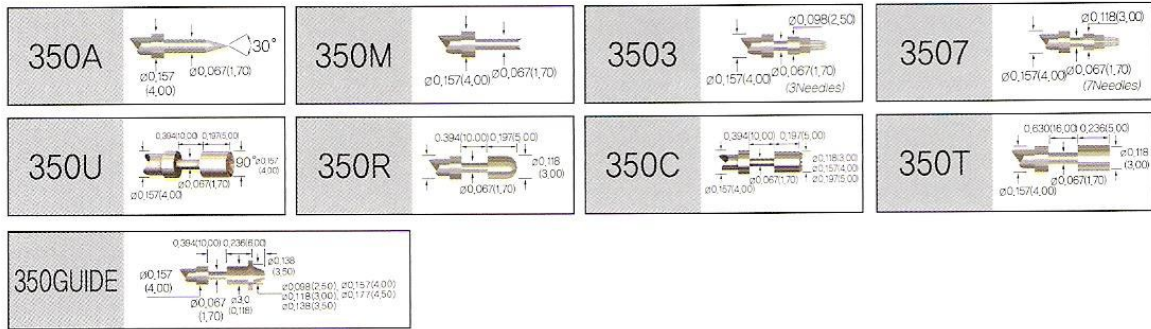


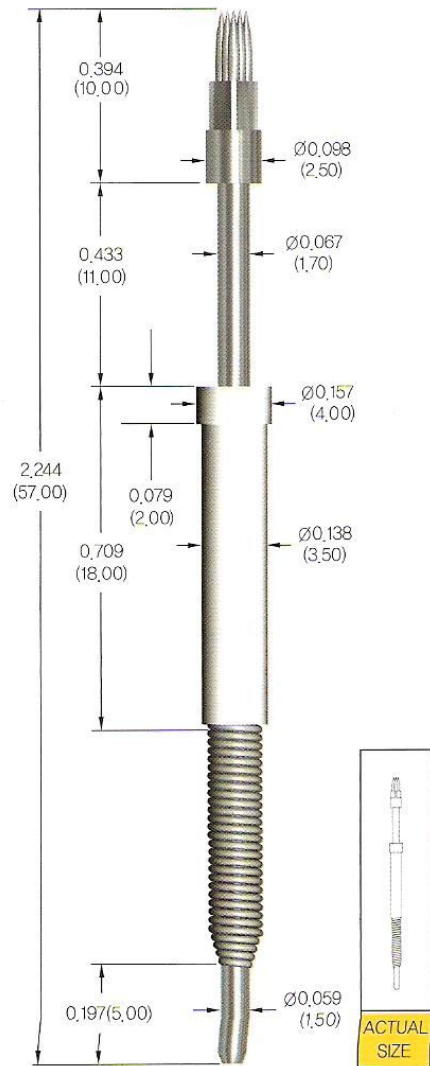
# LEENO·PIN

\* Specifications to change without notice.  
\* Custom design probes are available on request.

## 0.187(4.75) Test Centers 350 Series



unit: inch(mm)



### Probe Specifications

#### Electrical(Static Conditions)

Current Rating : 15amps Continuous  
Probe Resistance : Less than 20m Ω

#### Materials and Finishes

Plunger : Hardened Steel, Nickel Plated  
Sleeve : Resin or Brass, Nickel Plated  
Spring : Music Wire  
Mounting Hole Size : 0.138(3.50mm) drill is most commonly used

Spring Force	±20%	oz(grams)
Preload	Recommended Travel 0.287(7.3mm)	Full Travel 0.433(11mm)
-	13.404(380)	20.106(570)