

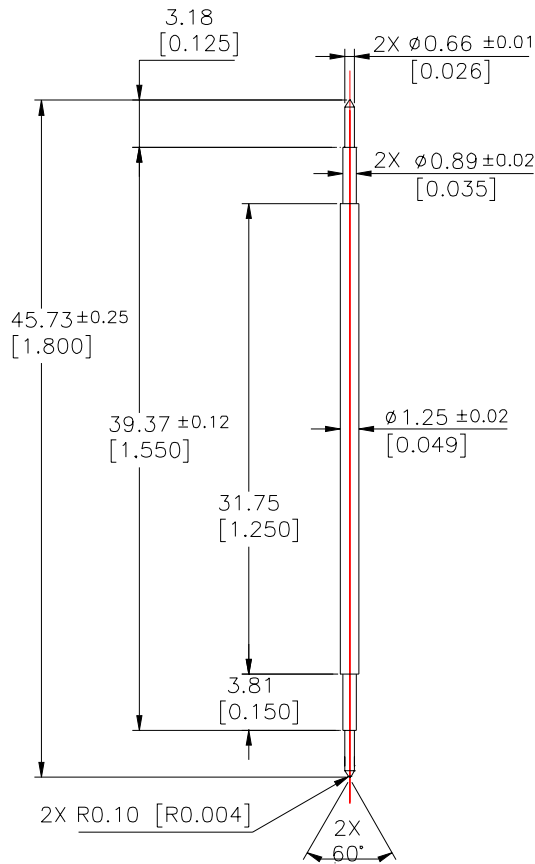
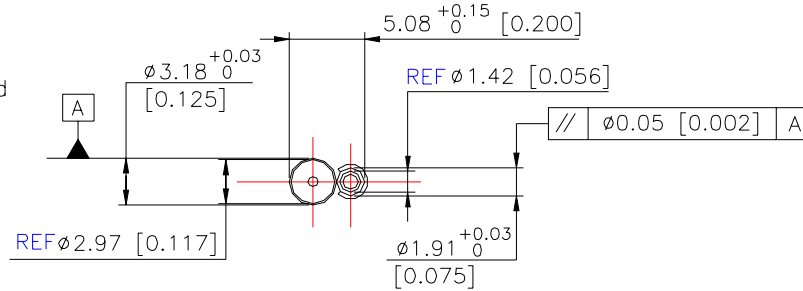
Material & Finish

Plunger : Hardened Beryllium Copper / Gold Plated

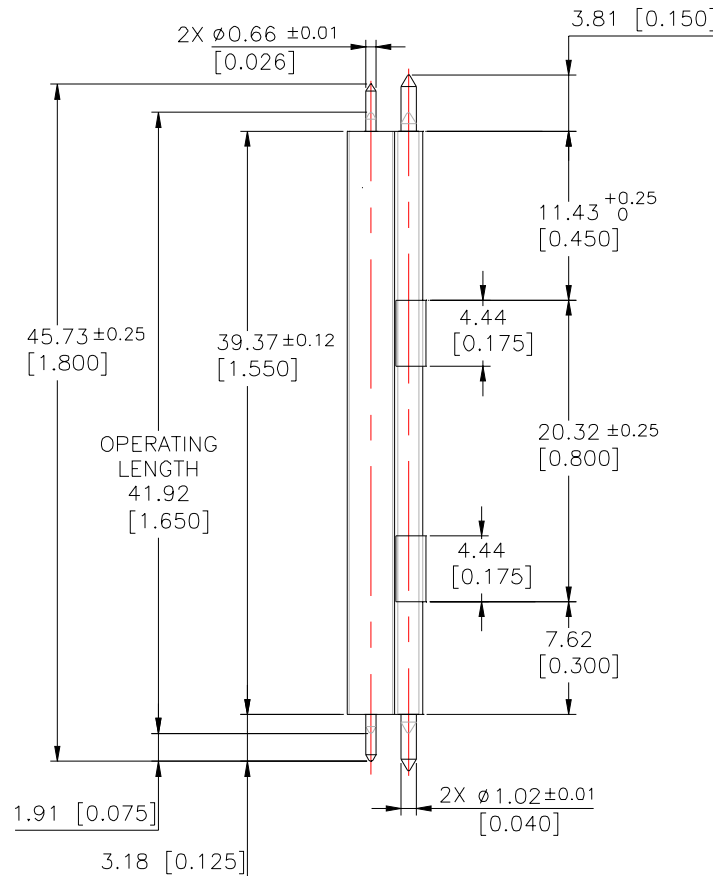
Barrel : -Brass / Gold Plated
 -Phosphor Bronze / Gold Plated

Socket : Brass / Gold Plated

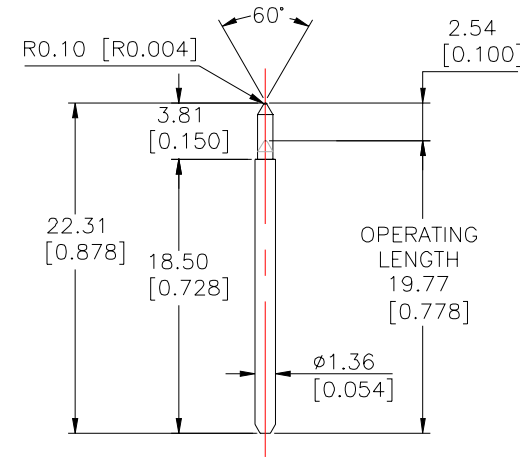
Spring : Stainless Steel / No Finish



SIGNAL PIN



ASS'Y



GROUND PIN

SPRING FORCE [$\pm 30\%$]

	PRELOAD	RECOMMENDED TRAVEL	FULL TRAVEL
SIGNAL PIN	40.7 g (1.43 oz)	62.2 g (2.19 oz)	76.6 g (2.70 oz)
GROUND PIN	36.3 g (1.28 oz)	71.7 g (2.53 oz)	89.4 g (3.15 oz)