

Touch Pin Series

PS098

Probe Specifications

Electrical(Static Conditions)

Current Rating : 10amps Continuous

Probe Resistance : Less than 30mΩ

Materials and Finishes

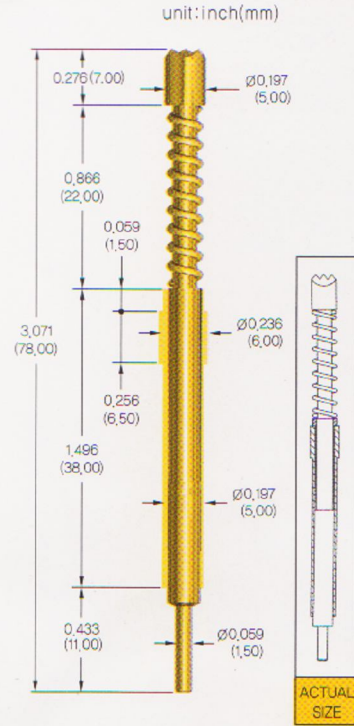
Plunger : Brass, Gold Plated over Nickel
(Optional Rhodium Plated over Nickel)

Barrel : Brass, Gold Plated

Spring : Music Wire

Socket : Brass, Nickel Plated

Preload	Recommended Travel	Full Travel
2,330(66)	0.366(9.3mm)	0.055(14.0mm)
	13.238(375)	18.744(531)



PS099

Probe Specifications

Electrical(Static Conditions)

Current Rating : 10amps Continuous

Probe Resistance : Less than 30mΩ

Materials and Finishes

Plunger : Brass, Gold Plated over Nickel
(Optional Rhodium Plated over Nickel)

Barrel : Brass, Gold Plated

Spring : Music Wire

Socket : Brass, Gold Plated

Spring Force	±20%	oz(grams)
Preload	Recommended Travel	Full Travel
0,212(6)	0.091(2.3mm)	0.138(3.5mm)
	0.953(27)	1.447(41)

