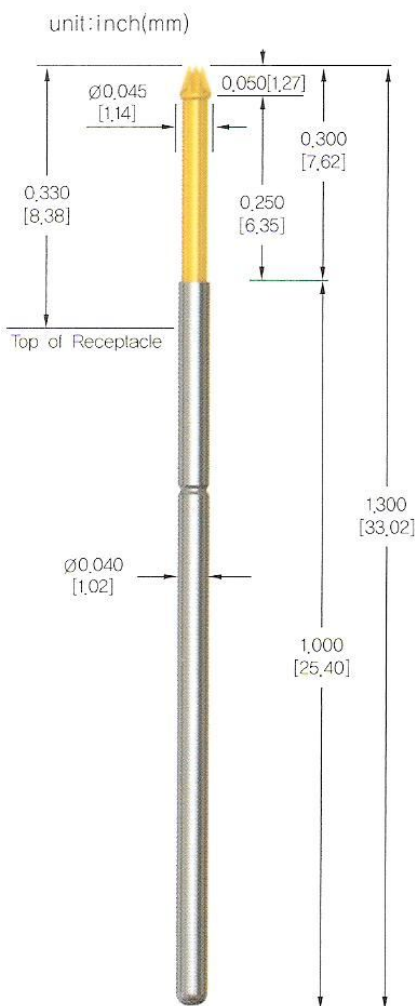
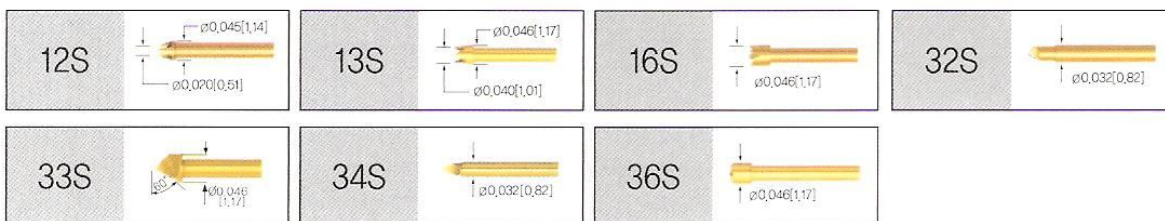
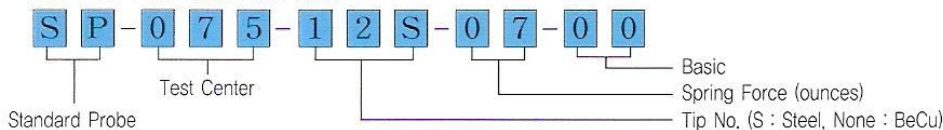


LEENO-PIN

* Specifications to change without notice.
* Custom design probes are available on request.

0.075 inch (1.91mm) Test Centers

LEENO PIN MODEL NO.



Probe Specifications

Electrical(Static Conditions)

Current Rating : 6amps Continuous
Probe Resistance : Less than 50m Ω

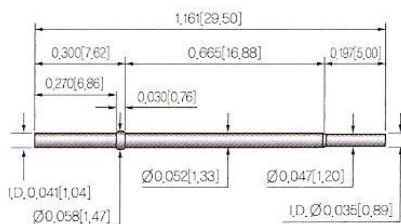
Materials and Finishes

Plunger - Hardened Steel(or BeCu)/ Gold Plated
Barrel - Nickel Silver / Nickel Plated
Spring - Music Wire

Spring Force No.	Preload	Recommended Travel	Full Travel
		0.1665 inch 4.23mm	0.2500 inch 6.35mm
05	1.3 oz.(38g)	5.2 oz.(148g)	7.3 oz.(208g)
07	2.2 oz.(61g)	7.0 oz.(198g)	9.4 oz.(267g)

RC075TW

Crimp Style Receptacle : **Nickel Silver / No Finish**



Mounting Hole Dia. :
0.053 / 0.055 [1.35 / 1.40]
Wire : AWG30

RC075W

Wire-Wrap Receptacle : **Nickel Silver / No Finish**

Square Pin : **Brass / Gold Plated**

