

LEENO-PIN

* Specifications to change without notice.
* Custom design probes are available on request.

Double-ended Receptacle Series

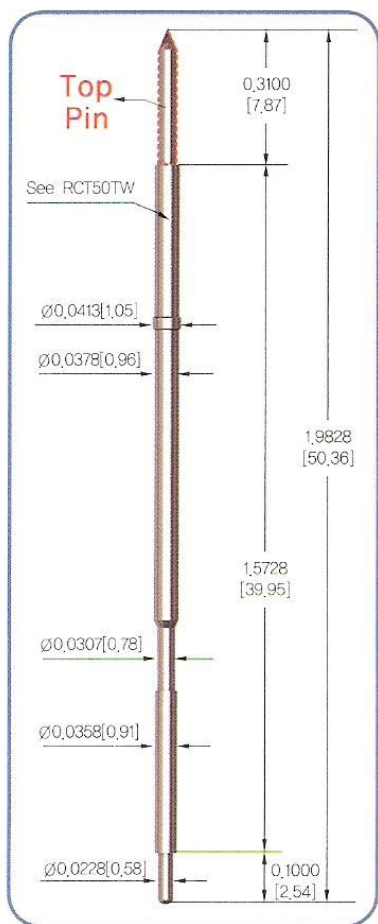
unit: inch(mm)

DB-050-01

DB-075-01

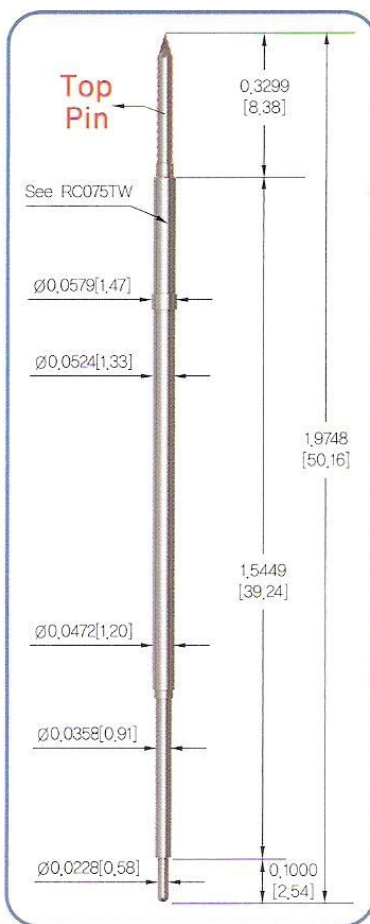
DB-100-01

※ A top pin is not included in the above models (a receptacle + a bottom pin)



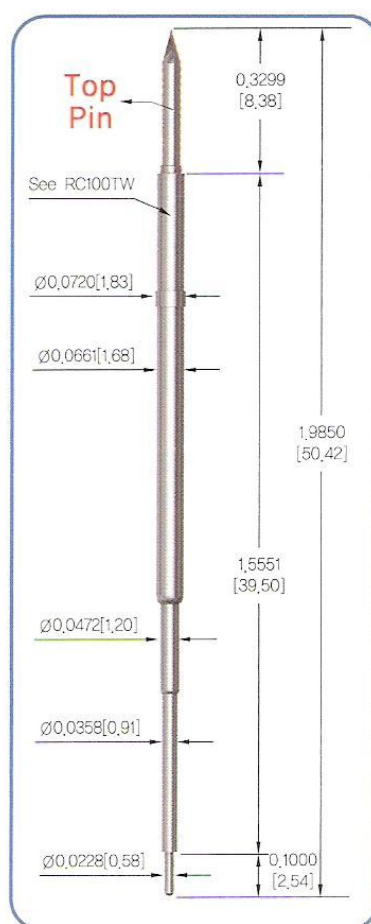
To be used with the SP-T50 Probe Series

Mounting Hole Dia.
0.038 / 0.039 [0.965 / 0.991]



To be used with the SP-075 Probe Series

Mounting Hole Dia.
0.053 / 0.055 [1.35 / 1.40]



To be used with the SP-100 Probe Series

Mounting Hole Dia.
0.067 / 0.069 [1.70 / 1.75]

Bottom PIN Spring Force		
Preload	Recommended Travel	Full Travel
	0.0681inch 1.73mm	0.1000 inch 2.54mm

Material

Plunger - Hardened BeCu / Gold Plated
Barrel - Phosphor Bronze / Nickel Plated